

C.I.P.

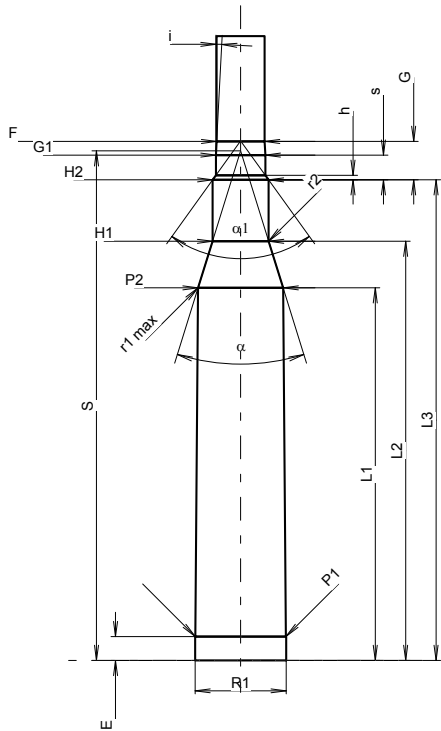
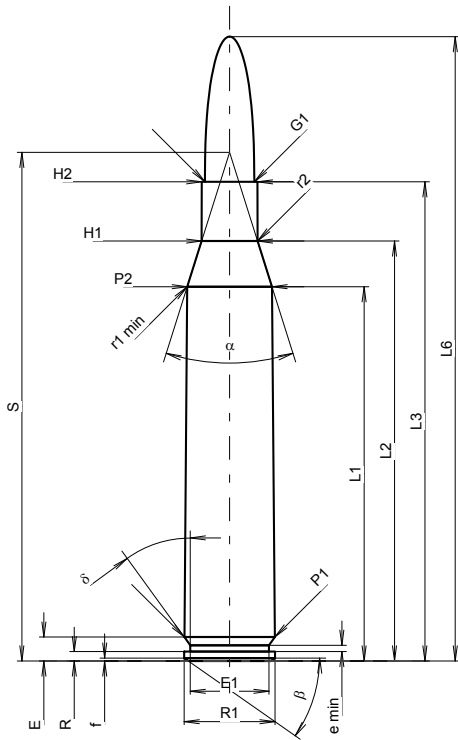
25-06 Rem.

Country of Origin: US

TAB. I

Date 84-06-14

Revision 08-09-23



Scale 1.0:1

Dimensions in << mm >>
Dimensions and Tolerances for Proof Barrels
see Appendix CR 1.

CARTRIDGE MAXI

Lengths

| | | | |
|------------------|---|-------|-------|
| L1 ¹⁾ | = | 49.48 | -0.20 |
| L2 ¹⁾ | = | 55.52 | -0.20 |
| L3 ¹⁾ | = | 63.35 | |
| L4 | = | | |
| L5 | = | | |
| L6 | = | 82.55 | |

Case Head

| | | | |
|-------|---|-------|--|
| R | = | 1.24 | |
| R1 | = | 12.01 | |
| R3 | = | | |
| E | = | 3.16 | |
| E1 | = | 10.39 | |
| e min | = | 0.84 | |
| delta | = | 36° | |
| f | = | 0.38 | |
| beta | = | 35° | |

Powder Chamber

| | | | |
|--------------------|---|-------|-------|
| P1 | = | 11.96 | |
| P2 ¹⁾ * | = | 11.20 | -0.20 |

Junction Cone

| | | | |
|---------|---|-------|--|
| alpha * | = | 35° | |
| S * | = | 67.24 | |
| r1 min | = | 1.27 | |
| r2 | = | 2.54 | |

Collar

| | | | |
|------------------|---|------|--|
| H1 * | = | 7.39 | |
| H2 ¹⁾ | = | 7.37 | |

Projectile

| | | | |
|--------------------|---|-------|--|
| G1 ¹⁾ | = | 6.54 | |
| G2 | = | | |
| F | = | | |
| L3+G ¹⁾ | = | 68.42 | |

Pressures (Energies)

Method Transducer

| | | | |
|------|---|------------|--|
| Pmax | = | 4400 bar | |
| PK | = | 5060 bar | |
| PE | = | 5500 bar | |
| M | = | 25.00 | |
| EE | = | 3340 Joule | |

Miscellaneous Dimensions

| | | | |
|--------------------|---|------|--|
| Fe ¹⁾³⁾ | = | 0.10 | |
| delta L | = | 0.15 | |

CHAMBER MINI

Lengths

| | | | |
|------------------|---|-------|--|
| L1 | = | 49.27 | |
| L2 | = | 55.42 | |
| L3 ¹⁾ | = | 63.55 | |

Breech

| | | | |
|----|---|-------|--|
| R | = | | |
| R1 | = | 12.04 | |
| R2 | = | | |
| R3 | = | | |
| r | = | | |

Powder Chamber

| | | | |
|------------------|---|-------|--|
| E | = | 3.16 | |
| P1 ¹⁾ | = | 11.99 | |
| P2 * | = | 11.24 | |

Junction Cone

| | | | |
|-----------------------|---|--------|--|
| alpha ¹⁾ * | = | 34°30' | |
| S * | = | 67.37 | |
| r1 max | = | 1.27 | |
| r2 | = | 3.05 | |

Collar

| | | | |
|------------------|---|------|--|
| H1 * | = | 7.42 | |
| H2 ¹⁾ | = | 7.39 | |

Commencement of Rifling

| | | | |
|-----------------------|---|-----------|--|
| G1 ¹⁾ * | = | 6.54 | |
| G ¹⁾ | = | 5.07 | |
| alpha ¹⁾ * | = | 71°25'48" | |
| h | = | 0.59 | |
| s | = | 3.26 | |
| i ¹⁾ * | = | 3° | |
| w | = | | |

Barrel

| | | | |
|-------------------|---|------|--|
| F ¹⁾ * | = | 6.35 | |
| Z ¹⁾ | = | 6.53 | |

Grooves

| | | | |
|---|---|--------|-----------------|
| b | = | 2.44 | |
| N | = | 6 | |
| u | = | 254.00 | |
| Q | = | 33.02 | mm ² |

Notes: 1) Check for safety reasons
3) Headspace on Shoulder
* Basic dimensions